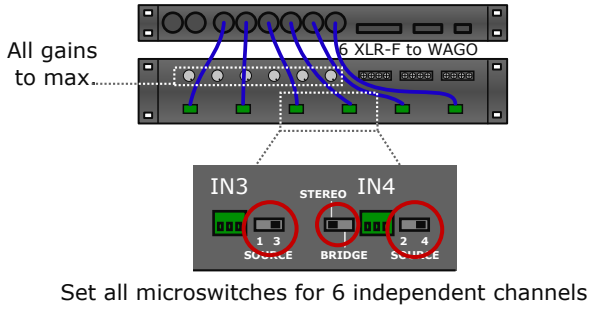
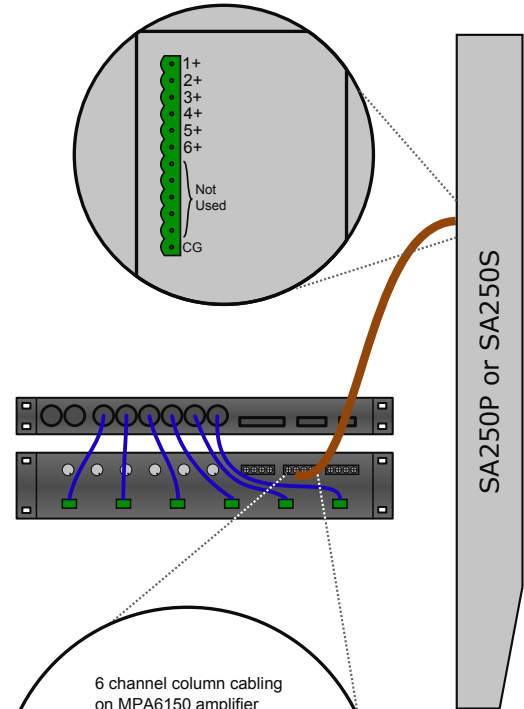


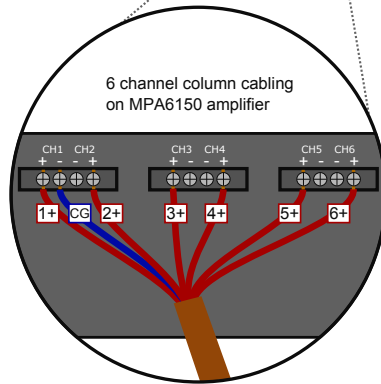
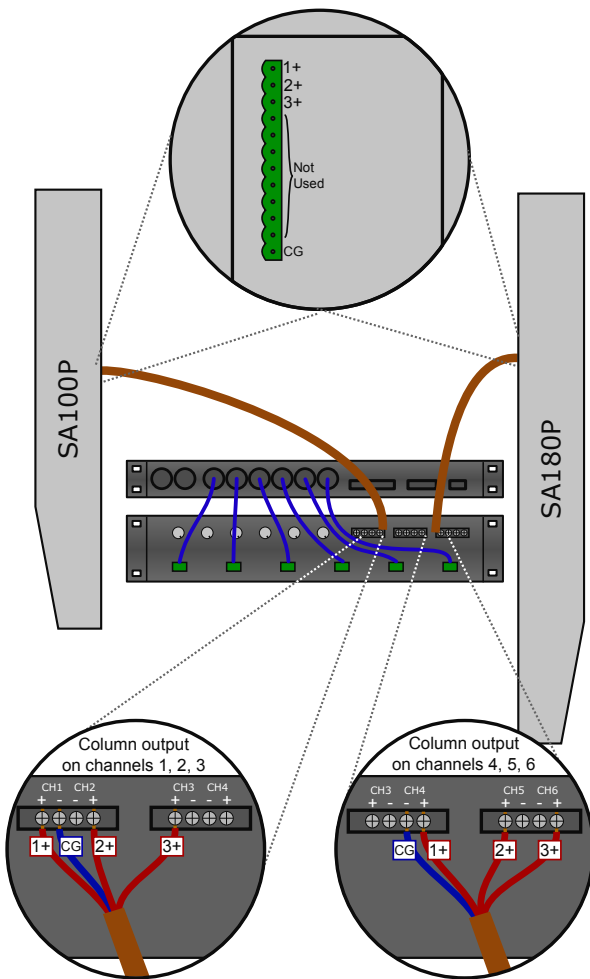
## UT26 / MPA6150



## SA250P / SA250S



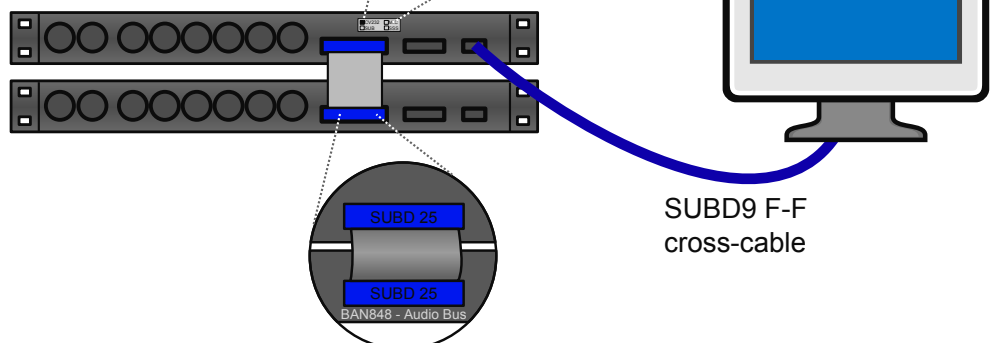
## SA100P / SA180P



Computer is connected to UT26 with CV232 option

- CV232
- SUB
- MIC
- SSS

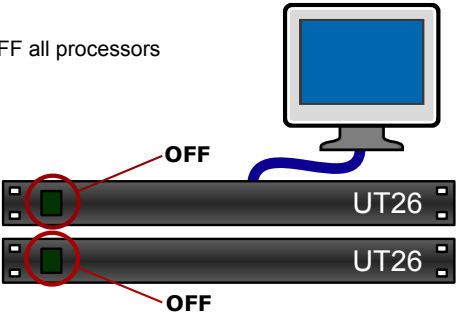
## RS232 communication



## Init new processors

1

Switch OFF all processors

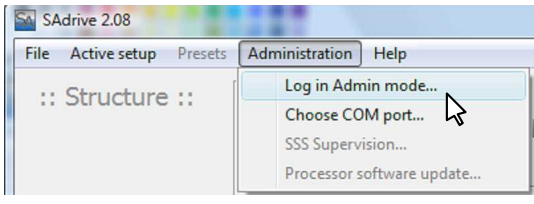


UT26

UT26

2

Log in administrator mode.



SAdrive 2.08

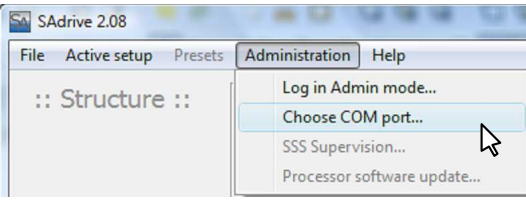
File Active setup Presets Administration Help

:: Structure ::

- Log in Admin mode...
- Choose COM port...
- SSS Supervision...
- Processor software update...

3

Connect to COM port



SAdrive 2.08

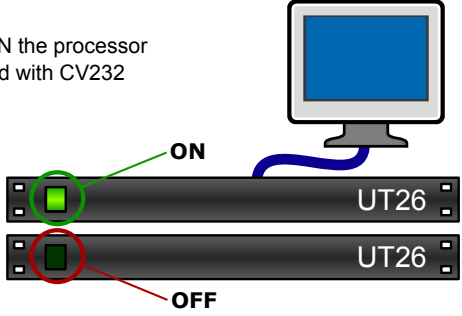
File Active setup Presets Administration Help

:: Structure ::

- Log in Admin mode...
- Choose COM port...
- SSS Supervision...
- Processor software update...

4

Switch ON the processor connected with CV232

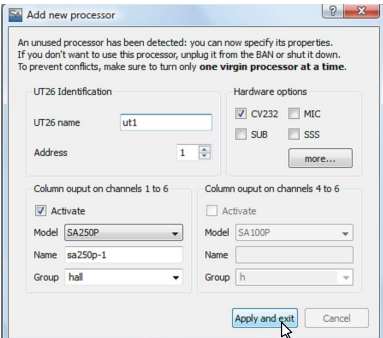


UT26

UT26

5

Set initial parameters for this processor, then apply.



Add new processor

UT26 Identification

UT26 name: ut1

Address: 1

Model: SA250P

Name: sa250p-1

Group: hall

Hardware options

CV232  MIC

SUB  SSS

Column output on channels 1 to 6

Activate

Model: SA100P

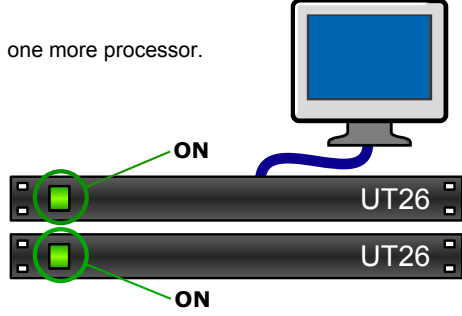
Name:

Group: h

Apply and exit Cancel

6

Switch ON one more processor.



UT26

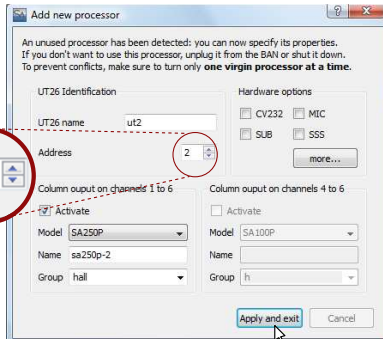
UT26

Remember: Switch ON one processor at a time.

7

Set initial parameters for this processor, then apply.

Processor address must be unique.



Add new processor

UT26 Identification

UT26 name: ut2

Address: 2

Model: SA250P

Name: sa250p-2

Group: hall

Hardware options

CV232  MIC

SUB  SSS

Column output on channels 1 to 6

Activate

Model: SA100P

Name:

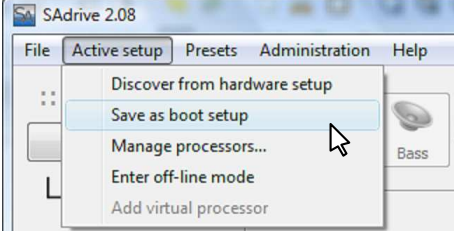
Group: h

Apply and exit Cancel

Repeat step 6 and 7 for each other processor.

8

Save as boot setup to make all changes permanent.



SAdrive 2.08

File Active setup Presets Administration Help

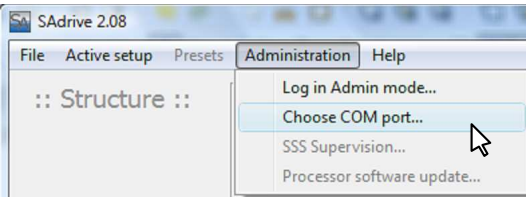
:: Structure ::

- Discover from hardware setup
- Save as boot setup
- Manage processors...
- Enter off-line mode
- Add virtual processor

## Discover already initied processors

1

Connect to COM port.



SAdrive 2.08

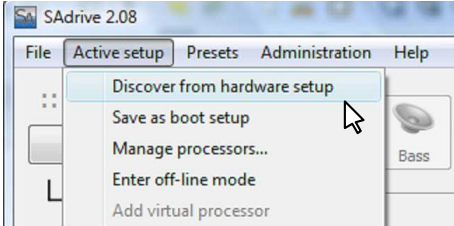
File Active setup Presets Administration Help

:: Structure ::

- Log in Admin mode...
- Choose COM port...
- SSS Supervision...
- Processor software update...

2

Discover from hardware setup.



SAdrive 2.08

File Active setup Presets Administration Help

:: Structure ::

- Discover from hardware setup
- Save as boot setup
- Manage processors...
- Enter off-line mode
- Add virtual processor