



The digital challenge



STAGE L



STAGE R



FOH



IN

OUT

TX OUT
RX OUT
TX IN
RX IN



DGL 64/12/12



Link was the first to introduce printed circuit board based modular snakes and stageboxes over a decade ago in Rome.

Link is proud to announce the first multi-protocol enabled modular digital snake system.

The DGLink digital audio distribution system leverages a long lineage of analog/digital cables, connectors, and circuitry (all manufactured by Link) to produce a truly modular touring grade digital distribution system.

DGLink is a digital snake designed for live applications leveraging the architecture of traditional Stage Boxes.

The primary objective was to offer a solution that will replace, or integrate with, traditional audio distribution systems (analog and digital) during live applications, utilizing one, or multiple, digital standards over CAT 5 or 6 cables.





The new DGLink system is based on the following core principles:

- Provide a flexible control scheme that supports multiple industry standard digital transport protocols
- Work closely with console, amplifier, monitoring, and speaker manufacturers to provide the most robust and flexible multi-signal connectivity solutions for the live entertainment and broadcast industry
- Leverage Link's extensive experience with pcb-based robust bussing systems
- Maintain a modular system that supports multiple configurations of inputs/outputs and digital/analog 19" panels
- Provide components that may be mounted in custom stage boxes and installation panels
- Support up to 64 mic/line level inputs and up to 64 line level outputs (foldback and drive sends)
- Offer remote control of all stage box functions including control of phantom power, polarity, and gain settings
- Initially support 48 kHz/24-bit audio
- Provide an auxiliary data channel in certain configurations (LAN standard)
- Support optional analog/digital HYBRID configurations using Link's 12 or 24 pair AES/EBU +2 Cat 6 cable
- Leverage Link's LK line of multi-pin connectors to provide for multiple signal type connections

DGlink digital architecture

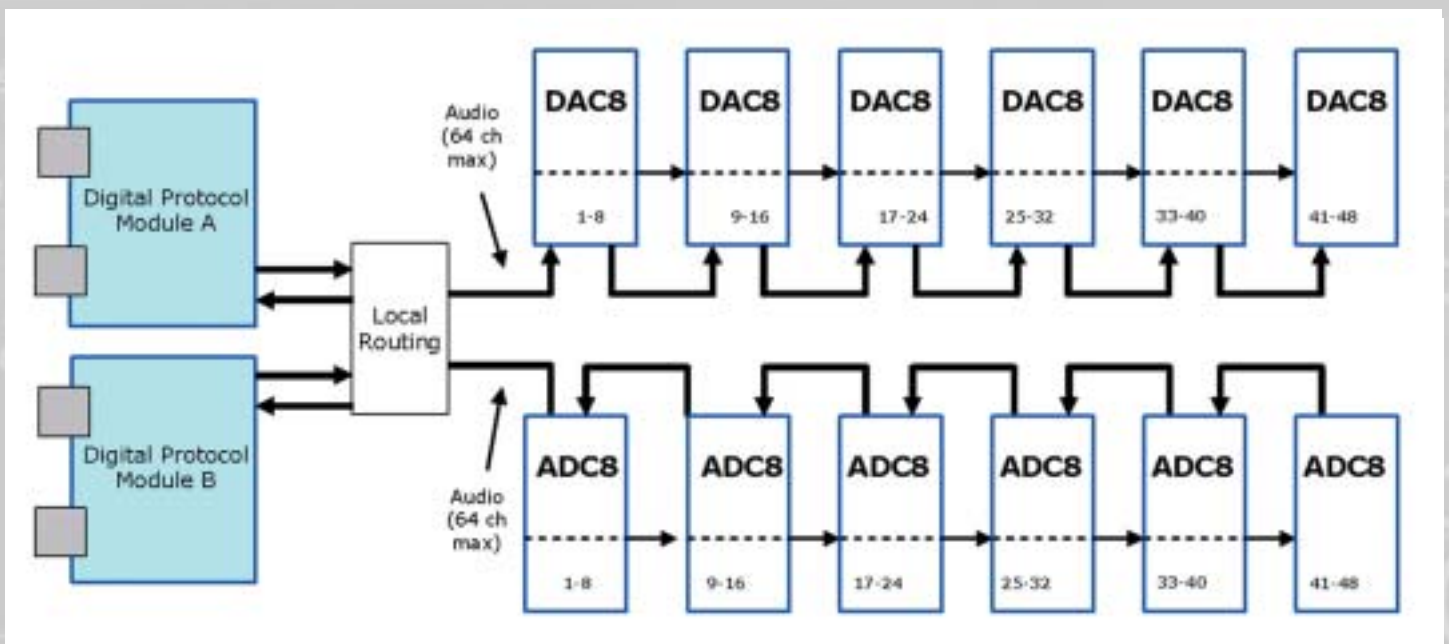
The processing is subdivided among the following cards:

- ADC, 8 channels
- DAC, 8 channels
- Base card supporting up to two Digital Protocol Modules.

The Digital Protocol Modules support simultaneous use of two different digital audio standards in a single system.

The same cards are used in the FOH unit, in the stage unit, and other auxiliary output modules (REC). During start-up, the microprocessor automatically initializes the ADC8 and DAC8 cards installed in the system.

DGlink system (typical configuration)

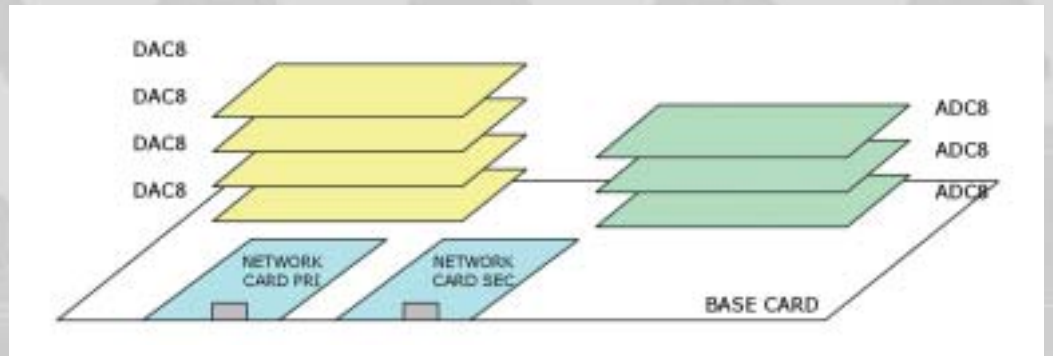




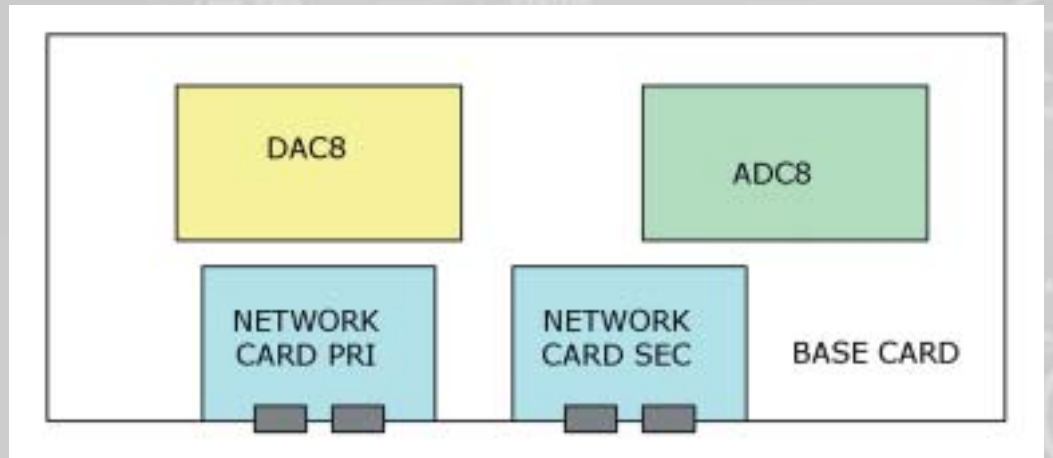
DGlInk mechanical layout

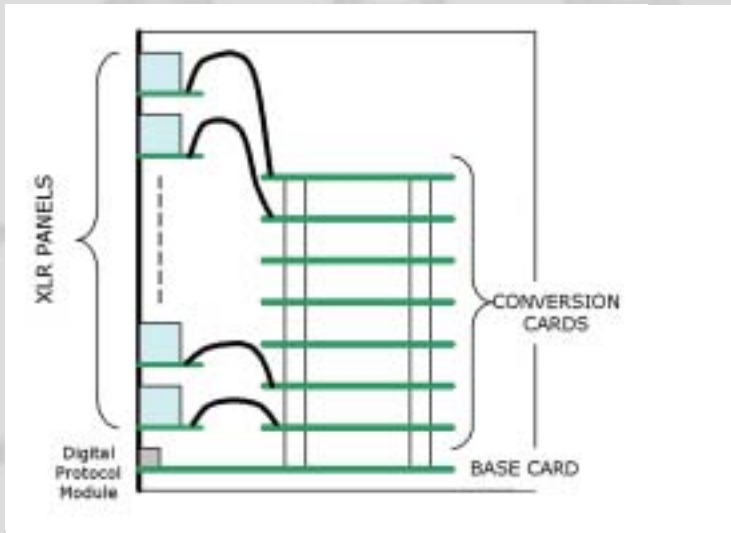
The system utilizes the same XLR panels used in Link's input/output passive modules.

The base card hosts the Digital Protocol Modules, the micro control section and the power supply stage. The Digital Protocol Modules interface with an assembly of ADC8 and DAC8 cards through a robust and flexible bussing system.



Each card is connected to the front panel XLRs via a flat cable (similar to Link's modular AD system).





The cards are mounted to facilitate reliable connections to the panel cards by means of flat cables.

The left diagram illustrates a view of the mechanical assembly.

Actually DGLink is supplied with an EtherSound AuviTran card fully compatible with the standard ES Monitor control software by Auvitrans.



Control Panel





Link s.r.l.
Via di Tor Cervara, 173 - 00155 - Rome - Italy
tel: +39.06.227251 - fax: +39.06.22725225
info@linkitaly.com www.linkitaly.com

Link USA Inc.
1020 Bunnell Road - Altamonte Springs - FL
tel: +1 407 774 0088 - fax: +1 407 472 5064
info@linkusa-inc.com www.linkusa-inc.com