

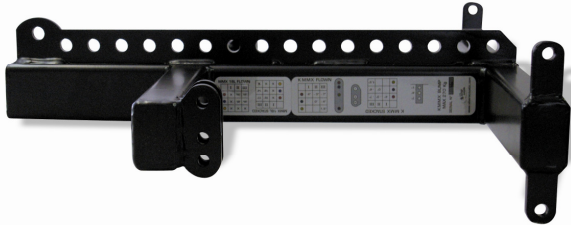


french**sound**design

www.silveracoustic.com

## MiniMaX Series

### MMX BUMP



- Flying and stacked frame for MiniMaX series
- BGV-C1 certification for rigging up to 270 Kg
- Made in FRANCE
- Ultra compact & lightweight

The MMX BUMP is specially designed for ground stacked and flown configuration of the Minimax series. This allows various setups in flown or stacked configuration such as :

- Vertical array of a maximum of 18 MMX 6L boxes under the MMX BUMP
- Vertical array of a maximum of 6 MMX 18L boxes under the MMX BUMP
- Vertical array of a MMX 6L / MMX 18L combination certified for up to 16 MMX 6L and 2 MMX 18L combination under the MMX BUMP
- Vertical array of a maximum of 5 MMX 212B boxes under the MMX BUMP
- Vertical array of a MMX 6L / MMX 212B combination certified for up to 6 MMX 6L and 2 MMX 212B combination under the MMX BUMP
- Stacking of a maximum of 9 MMX 6L boxes onto the MMX BUMP
- Stacking of a maximum of 6 MMX 18L boxes onto the MMX BUMP
- Stacking of a MMX 6L / MMX 212B combination certified for up to an overall height of 1,72 m ( 67,71'' ) onto a MMX BUMP.

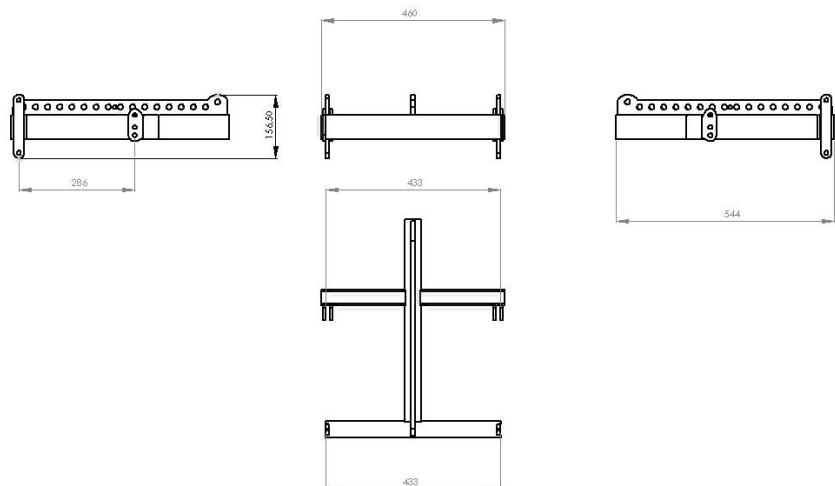
#### Dimensions

Height : 156,5 mm / 6.16 in

Width : 460 mm / 18.11 in

Depth : 544 mm / 21.41 in

Weight : 9 Kg / 19.84lbs



#### Specifications

Materiel : S355 JR

Finish : Powder coat

Color : black

Working load limit : 270 Kg  
(595.25 lbs)

SILVER ACOUSTIC - ZI - 250, rue de la Marbrerie - 34740 Vendargues, France